

106001 HYDROSKY MINI LED

Projector for outdoor installation on a façade/wall. Phospho-chromatised and polyester powder coated die-cast copper-free aluminium body, base and anti-glare visor, tempered safety glass, moulded silicone gasket and stainless steel screws. built-in LED driver 220-240V 50-60Hz, with 3 CREE XP-E LED. IP66 rating.

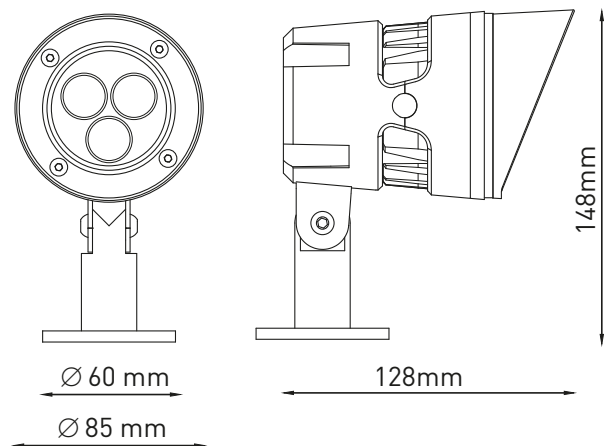
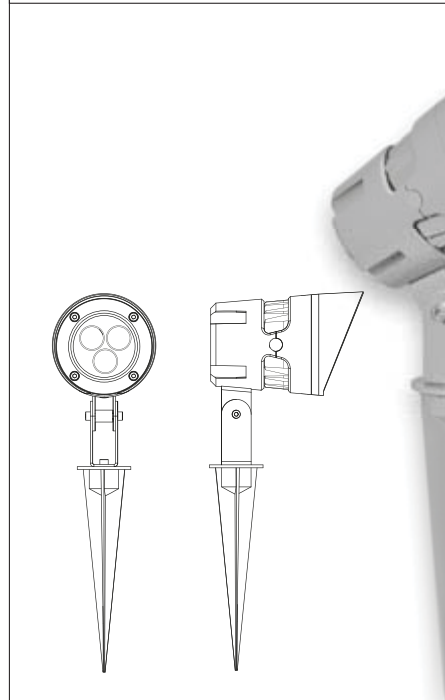
Energy Label A++

- Material: high corrosion resistance die-cast copper-free aluminum body
- Coating: polyester powder coating with phosphochromating pre-finish
- NR. 3 x 2W CREE "XP-E" LED
- Electronic transformer 220/240V 50/60Hz included
- Stainless steel screws
- Silicone rubber gasket
- Tempered safety glass.
- Anti-glare visor.
- 1 mt. neoprene power cable included



106002

HYDROSKY MINI LED EARTH SPIKE



	LIGHT SOURCE	LED COLOR*	LIGHT BEAM OPTIONS	LUMEN OUTPUT (lm)	LUMINOUS EFFICACY (lm/w)	COLORS OPTIONS
6 WATT 220-240V 50-60HZ ELECTRONIC IP65 1,50 KG UNIT GROSS WEIGHT	HIGH-POWER LED	3.000°K WARM-WHITE	30°	350	58.33	TEXTURED GREY

106003 HYDROSKY MEDIUM LED

Projector for outdoor installation on a façade/wall. Phospho-chromatised and polyester powder coated die-cast copper-free aluminium body, base and anti-glare visor, tempered safety glass, moulded silicone gasket and stainless steel screws. built-in LED driver 220-240V 50-60Hz, with 9 CREE XP-E LED. IP66 rating.

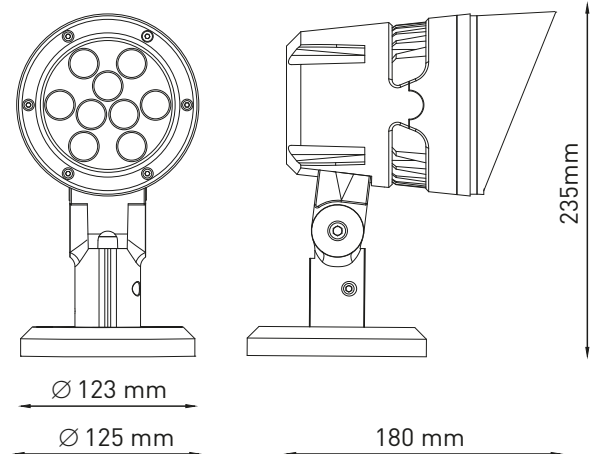
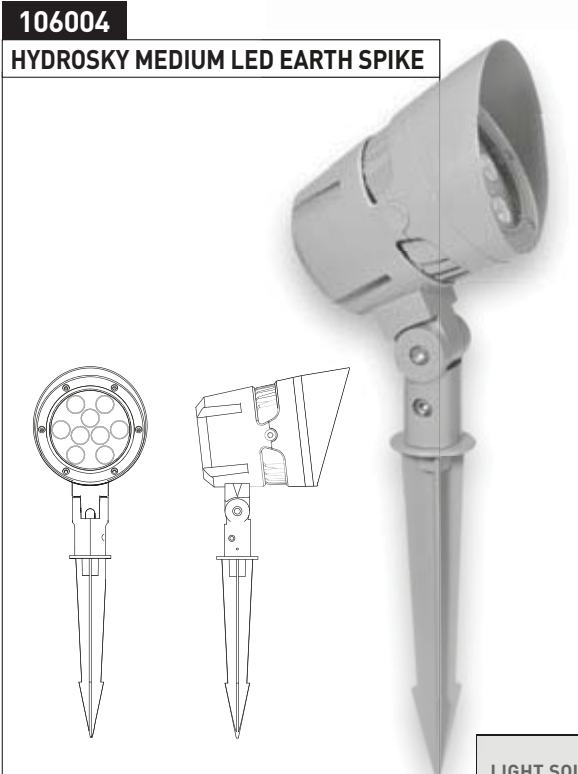
Energy Label **A++**

- Material: high corrosion resistance die-cast copper-free aluminum body
- Coating: polyester powder coating with phosphochromating pre-finish
- NR. 9 CREE "XP-E" LED
- Electronic transformer 220/240V 50/60Hz included
- Stainless steel screws
- Silicone rubber gasket
- Tempered safety glass.
- Anti-glare visor.
- 1 mt. neoprene power cable included



106004

HYDROSKY MEDIUM LED EARTH SPIKE



	LIGHT SOURCE	LED COLOR*	LIGHT BEAM OPTIONS	LUMEN OUTPUT (lm)	LUMINOUS EFFICACY (lm/w)	COLORS OPTIONS
11 WATT 220-240V 50-60HZ ELECTRONIC IP66 2.20 KG UNIT GROSS WEIGHT	HIGH-POWER LED	3.000°K WARM-WHITE	30°	1.000	90.91	TEXTURED GREY

106005 HYDROSKY MAXI LED

Projector for outdoor installation on a façade/wall. Phospho-chromatised and polyester powder coated die-cast copper-free aluminium body, base and anti-glare visor, tempered safety glass, moulded silicone gasket and stainless steel screws. built-in LED driver 220-240V 50-60Hz, with 18 CREE XP-E LED. IP66 rating.

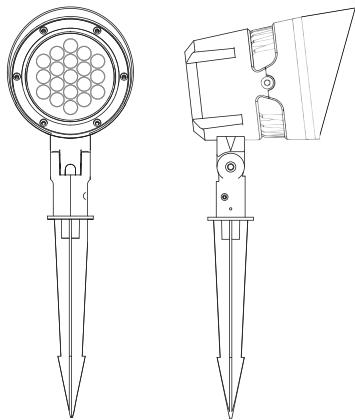
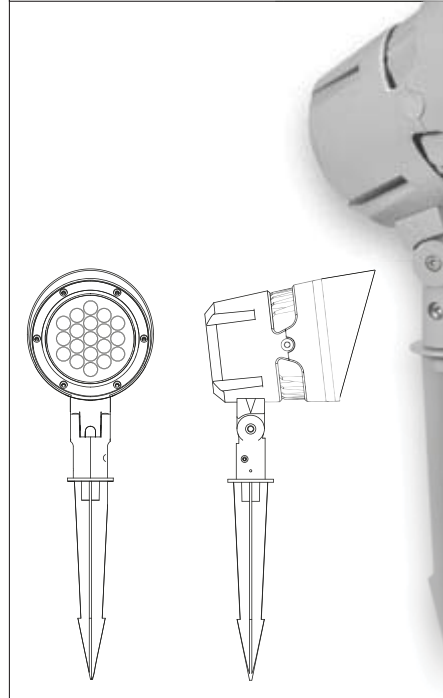
Energy Label **A++**

- Material: high corrosion resistance die-cast copper-free aluminum body
- Coating: polyester powder coating with phosphochromating pre-finish
- NR. 18 CREE "XP-E" LED
- Electronic transformer 220/240V 50/60Hz included
- Stainless steel screws
- Silicone rubber gasket
- Tempered safety glass.
- Anti-glare visor.
- 1 mt. neoprene power cable included

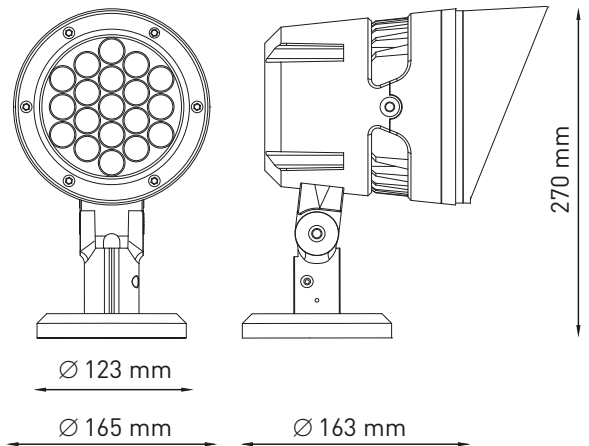


106006

HYDROSKY MAXI LED EARTH SPIKE



AC-023
FLANGE FOR POLE MOUNTING
(POLE DIAMETER 120 MM)



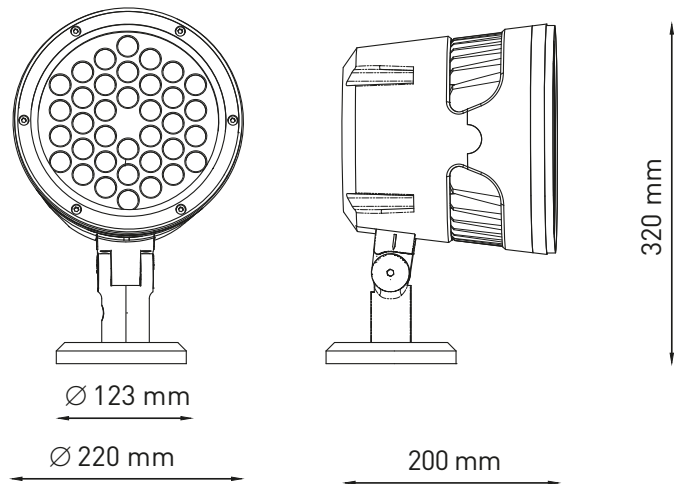
	LIGHT SOURCE	LED COLOR*	LIGHT BEAM OPTIONS	LUMEN OUTPUT (lm)	LUMINOUS EFFICACY (lm/w)	COLORS OPTIONS
21 WATT 220-240V 50-60HZ ELECTRONIC IP66 3.20 KG UNIT GROSS WEIGHT	HIGH-POWER LED	3.000°K WARM-WHITE	30°	2.400	114.28	TEXTURED GREY

106007 HYDROSKY MEGA LED




Projector for outdoor installation on a façade/wall. Phospho-chromatised and polyester powder coated die-cast copper-free aluminium body and base, tempered safety glass, moulded silicone gasket and stainless steel screws. built-in LED driver 220-240V 50-60Hz, with 36 CREE XP-E LED. IP66 rating.

Energy Label A++

- Material: high corrosion resistance die-cast copper-free aluminum body
- Coating: polyester powder coating with phosphochromating pre-finish
- NR. 36 CREE "XP-E" LED
- Electronic transformer 220/240V 50/60Hz included
- Stainless steel screws
- Silicone rubber gasket
- Tempered safety glass.
- Anti-glare visor.
- 1 mt. neoprene power cable included



AC-023
FLANGE FOR POLE MOUNTING
(POLE DIAMETER 120 MM)

	LIGHT SOURCE	LED COLOR*	LIGHT BEAM OPTIONS	LUMEN OUTPUT (lm)	LUMINOUS EFFICACY (lm/w)	COLORS OPTIONS
60 WATT 220-240V 50-60HZ ELECTRONIC IP66 5.20 KG UNIT GROSS WEIGHT	HIGH-POWER LED	 3.000°K WARM-WHITE	 30°	5.000	83.34	 TEXTURED GREY