

VEGA LED

- **protection degree:** IP 66, for optical part and driver
- **insulation class:** II
- **power supply voltage:** 220-240 V AC, 50/60 Hz
- **light sources:** CREE XP-L
- **material:** anodized aluminum alloy
- **colour:** inox/graphite
- **mounting:**

VEGA LED – on columns or extension arms with spigot ending Ø60 mm length 100 mm

VEGA LED ALFA – on columns with spigot ending Ø60 mm length 100 mm

VEGA LED BETA – centered on columns with spigot ending Ø60 mm length 95 mm

- **recommended assembly height:** 4,5-7 m

- luminaire is adapter to work in temperatures between -40°C and +55°C

Optics: VEGA LED and VEGA LED ALFA – available optics for removable modules – see page 18 of this catalog



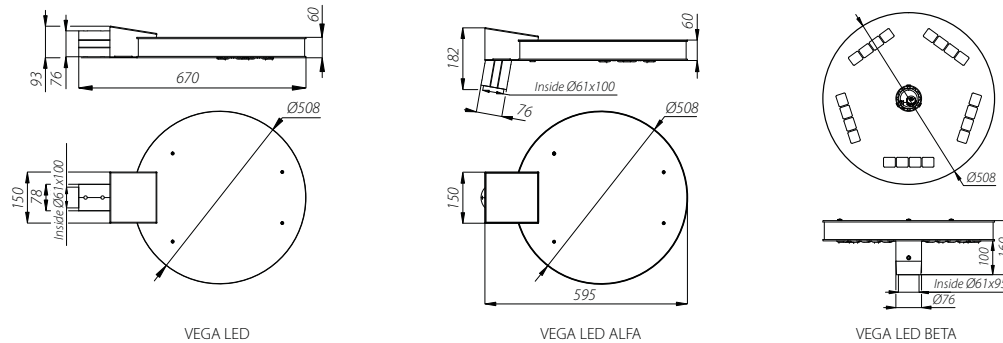
VEGA LED



VEGA LED ALFA



VEGA LED BETA



VEGA LED

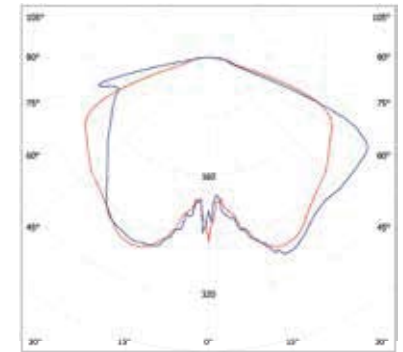
VEGA LED ALFA

VEGA LED BETA

Name	The colour temperature of light [K]	Code	Power / Number of LEDs [W / pcs.]	Total power [W]	Luminous flux [lm]*	Lighting efficiency [lm/W]	Weight [kg]	Current product card	
VEGA LED 60	5 000	2141034/6	60/24	68	8 100	119	10,5		
	3 500	2141034/3			7 500	110			
VEGA LED ALFA 60	5 000	2142034/6	60/24		8 100	119		9,5	
	3 500	2142034/3			7 500	110			
VEGA LED BETA 60	5 000	214034/6	60/20		8 100	119			
	3 500	214034/3			7 500	110			

* due to LEDs precision class, the value tolerance is +/-3%

VEGA LED



Light distribution curve for luminaire VEGA LED BETA

1. Luminaire VEGA LED on pole SAL DL-2 with height of 5,5 m
2. Luminaire VEGA LED BETA on pole SAL DL-5 with height of 4,5 m

PARK LIGHTING